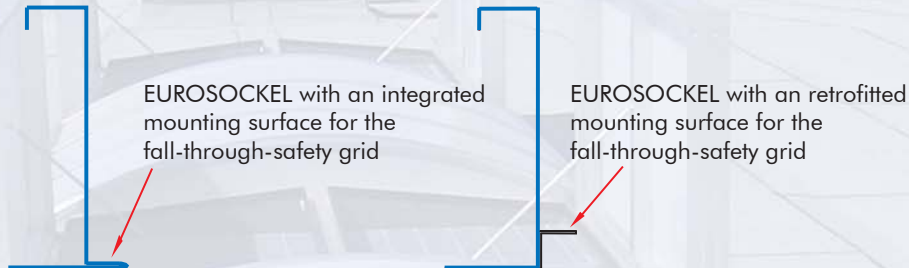


# Fall-through protection



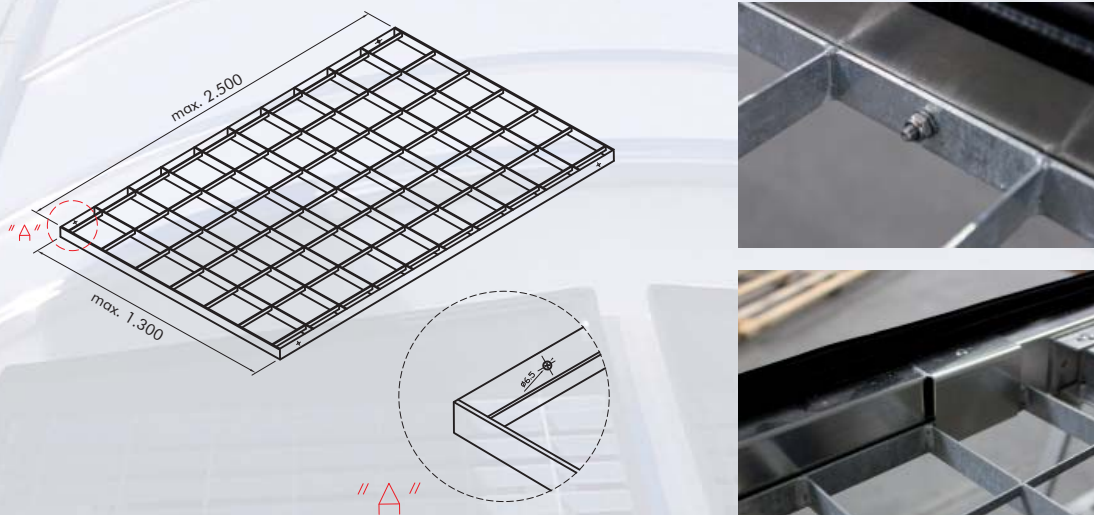
## Fall-through protection

Fall-through protection for natural smoke and heat extractors and skylights must not only be guaranteed during installation, but also afterwards, especially when maintenance is being carried out with the units open. Test certificates from the DGUV (German Social Accident Insurance) prove that our fall-through-safety grids comply with current health and safety requirements. When mounted on skylights using EUROZARGE frames, the grids are always mounted in the base below the unit. In the case of stand-alone units mounted on a EUROSOCKET curb, the fall-through-safety grid can also be mounted on the EUROSOCKET.



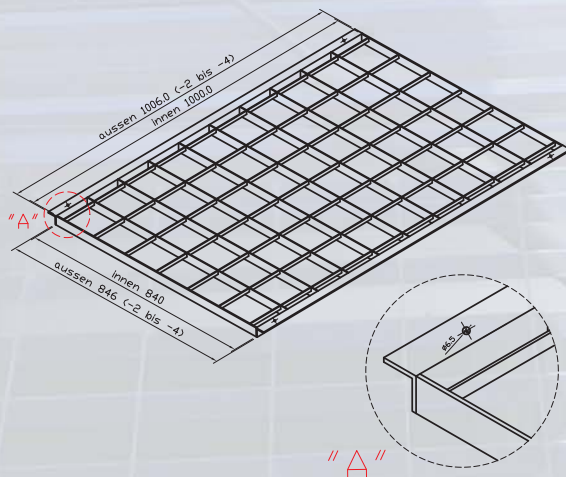
### Fall-through prevention system for PHOENIX/MEGAPHOENIX:

For PHOENIX or MEGAPHOENIX, grids are used with a maximum size of 1,300 x 2,500 mm and a mesh size of 100 x 100 mm. The grids are screwed on the sides of non-insulated units, whereas on insulated units they are held in place by riveted aluminium clamps (see illustrations).



### Fall-through prevention system for FIREFIGHTER/MEGASTAR:

For FIREFIGHTER or MEGASTAR, grids are used with a maximum size of 840 x 1,000 mm and a mesh size of 100 x 100 mm. The grids are screwed onto the unit using lateral right-angle brackets.



## Fall-through protection

### Fall-through protection for daylight systems

There are two basic types of fall-through prevention systems available for the EUROLIGHT and DELTALIGHT skylights. The most common version is the PSP30 personal protection profile. Here, aluminium profiles are fitted with a spacing of 225 mm up to a maximum of 1,200 mm from the base profile, thus preventing persons falling through the skylight. In low arched skylights with a rise/span ratio of 1/7 the profiles are fitted across the whole width (see background illustration). The same PSP30 design is used for the DELTALIGHT.

Another type of fall-through prevention system is the PSG50 consisting of a protection grid made of wire mesh. This can be mounted to both the EUROLIGHT and the DELTALIGHT skylights starting 300 mm from the base profile and with a minimum width of 1,200 mm. In low skylights the PSG50 is also fitted across the whole width (see illustrations).



Personal protection profile PSP30



Personal protection grid PSG50